

Intelligent Digital Pressure Gauge **HD050 Series**

Features

- 6 Digits big LCD Display
- Accuracy Class 0.025 and Class 0.05 of F.S.
- Up to 9 Selectable unit ranges
- Design pressure range 0..2500 bar
- Low range -0.025..+0.025 up to 1 Bar
- Rechargeable long life, Battery operated 7.4VDC
- Temperature compensating function
- RS232 computer communication port
- Integrated Max and Min values chip function
- Zero point, Full Scale calibration function unit
- Integrated internal data storing function and many more

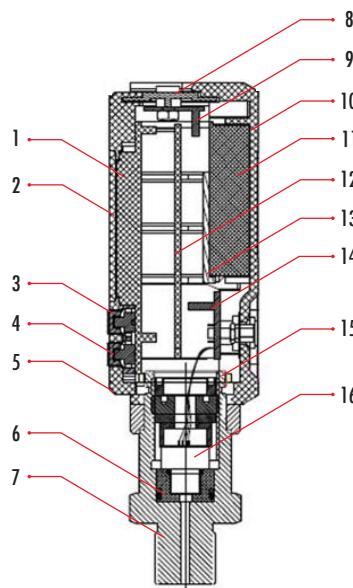


Technical Specification

- Accuracy class
Class 0.025 (Except 1000/1600 bar) or Class 0.05
Within compensating temperature range -10..+50°C
- Pressure/Vacuum/Compound range
Vacuum range : -0.025..0 to -1.. 0 bar
Pressure range : 0.. 0.7 bar to 0..2500 bar
Compound range : -0.025..+0.025 to -1..+1 bar
- Indication pressure unit
kPa, mmHg, mmH2O, Bar, mBar, Psi, kg/cm2, MPa, Pa
Depend on unit measure range

- Electrical signal
Current : 0..25 mA > KL ±0.02% RD + 0.005% F.S.
Voltage : 0..25 V > KL ±0.02% RD + 0.005% F.S.
DC Output : DC24V (≤ 30 mA) KL ±1% F.S.
- Connection size
Male 1/2"NPT, G1/2" or M20x1.5
1/4"NPT, G1/4" or other sizes
- Dimension size (LED H x W) x H
DN (95 x 49) x 166 mm
- Nett weights (Gauge only)
0.75 kgs

No	Part name
1	LCD display
2	Window
3	Press Button
4	Key panel
5	Front casing
6	Hi-pressure seal
7	Connection
8	Terminal panel
9	Terminal board
10	Back casing
11	Li-ion battery
12	PCB board
13	Battery plate
14	Power strip
15	Lock nut
16	Hi-sensitive sensor



PRESSURE RANGES	
PSI	BAR
0.. 10	0.. 0.7
0.. 15	0.. 1
0.. 30	0.. 2
0.. 60	0.. 4
0.. 100	0.. 7
0.. 200	0.. 14
0.. 300	0.. 20
0.. 500	0.. 35
0.. 600	0.. 40
0..1000	0.. 70
0..2000	0.. 140
0..3000	0.. 200
0..5000	0.. 350
0..6000	0.. 400
0..10000	0.. 700
0..15000	0..1000
0..24000	0..1600
0..37000	0..2500

COMPOUND RANGES	
PSI	BAR
-0.4..+0.4	-0.025..+0.025
-0.8..+0.8	-0.05.. +0.05
-1.5..+1.5	-0.1 .. +0.1
-6 .. +6	-0.4 .. +0.4
-15..+15	-1 .. +1

Ordering Code



HD^① <Pressure range>^② - Connection^③

①	Accuracy Class
051	0.025
052	0.05

②	Pressure Range
Following pressure gauge ranges table	
Pressure or Compound ranges	

③	Connection size
G4	G 1/4"
N4	1/4" NPT
G2	G 1/2"
N2	1/2" NPT