

# Digital High Pressure Gauge

# HD040 Series

## Features

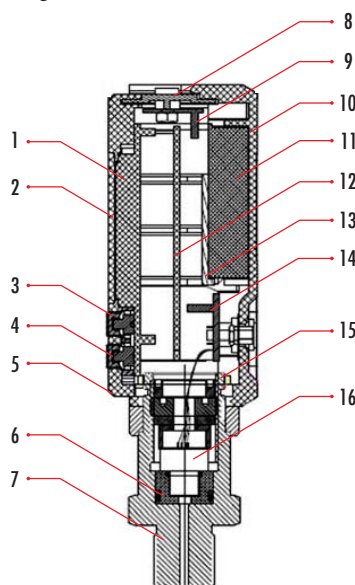
- 6 Digits big LCD Display
- Accuracy Class 0.025 and Class 0.05 of F.S.
- Up to 9 Selectable unit ranges
- Design pressure range 0..2500 bar
- Low range -0.025..+0.025 up to 1 Bar
- Rechargeable long life, Battery operated 7.4VDC
- Temperature compensating function
- Large LCD with white backlight, dual unit reading
- Zero point, Full Scale calibration function unit
- Integrated internal data storing function and many more



## Technical Specification

- Accuracy class  
Class 0.025 (Except 1000/1600 bar) or Class 0.05  
Within compensating temperature range -10..+50°C
- Pressure/Vacuum/Compound range  
Vacuum range : -0.025..0 to -1.. 0 bar  
Pressure range : 0.. 0.7 bar to 0..2500 bar  
Compound range : -0.025..+0.025 to -1..+1 bar
- Indication pressure unit  
kPa, mmHg, mmH2O, Bar, mBar, Psi, kg/cm2, MPa, Pa  
Depend on unit measure range
- Connection size  
Male 1/2"NPT, G1/2" or M20x1.5  
1/4"NPT, G1/4" or other sizes
- Dimension size (LED H x W) x H  
DN (95 x 49) x 166 mm
- Nett weights (Gauge only)  
0.75 kgs

No	Part name
1	LCD display
2	Window
3	Press Button
4	Key panel
5	Front casing
6	Hi-pressure seal
7	Connection
8	Terminal panel
9	Terminal board
10	Back casing
11	Li-ion battery
12	PCB board
13	Battery plate
14	Power strip
15	Lock nut
16	Hi-sensitive sensor



PRESSURE RANGES	
PSI	BAR
0.. 10	0.. 0.7
0.. 15	0.. 1
0.. 30	0.. 2
0.. 60	0.. 4
0.. 100	0.. 7
0.. 200	0.. 14
0.. 300	0.. 20
0.. 500	0.. 35
0.. 600	0.. 40
0..1000	0.. 70
0..2000	0.. 140
0..3000	0.. 200
0..5000	0.. 350
0..6000	0.. 400
0..10000	0.. 700
0..15000	0..1000
0..24000	0..1600
0..37000	0..2500

COMPOUND RANGES	
PSI	BAR
-0.4..+0.4	-0.025..+0.025
-0.8..+0.8	-0.05.. +0.05
-1.5..+1.5	-0.1 .. +0.1
-6 .. +6	-0.4 .. +0.4
-15..+15	-1 .. +1

## Ordering Code



HD<sup>①</sup> <Pressure range><sup>②</sup> - Connection<sup>③</sup>

①	Accuracy Class
041	0.025
042	0.05

②	Pressure Range
Following pressure gauge ranges table	
Pressure or Compound ranges	

③	Connection size
G4	G 1/4"
N4	1/4" NPT
G2	G 1/2"
N2	1/2"NPT



This catalogue is the property of SCHUH TECHNOLOGY and may not be reproduced without prior permission. Specification and material are subjected to changes or modification without prior notice.