



## SPT300 Series

SPT301 (LCD)

SPT302 (LED)

### Digital Pressure Transmitter - LCD / LED Display

#### Features

- Diffusion Silicone core technology
- LCD / LED Digital display
- Explosive Atmosphere protection
- Multi measurement unit ranges
- High accuracy 0.25% of F.S.
- High performance, precision & stability
- Stainless steel 316 wetted part
- Convenient debugging zero range setting
- Pressure range -1..0, -1..+24 to 0.. 400 bar

#### Technical Specification

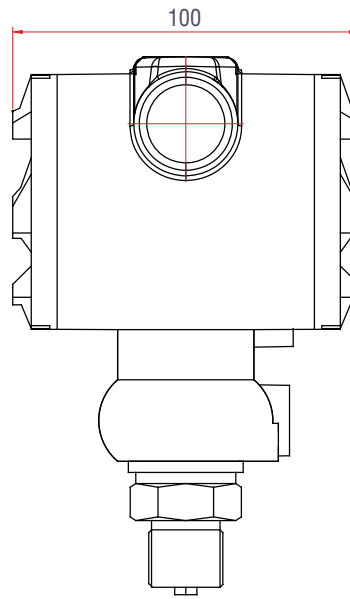
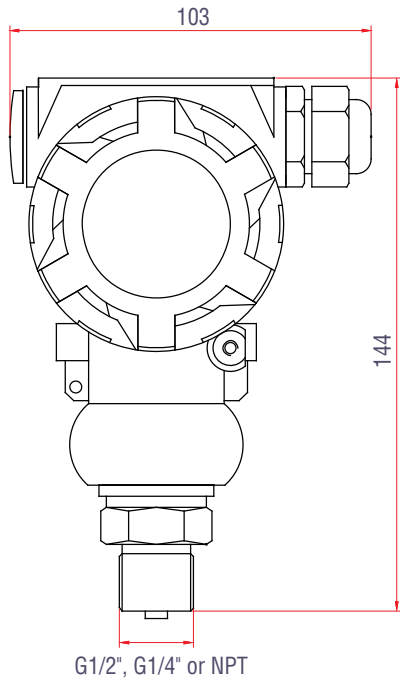
- Model configuration  
Display : LCD display (Model SPT301)  
LED display (Model SPT302)
- Measuring ranges  
-1.. +0.6 up to +24 Bar (Compound)  
-1 Bar.. 0 (Vacuum)  
0.. 1 Bar up to 1000 Bar
- Instrument / Process Connection Size  
G $\frac{1}{2}$ " , G $\frac{3}{4}$ " or NPT, other connection sizes available
- Media temperature  
Temperature range -40° ..+150°C
- Ambient temperature  
Temperature range -30° ..+80°C
- Optional Mounting  
Diaphragm, Clamping, Flanged,  
Cooling wing body (T > 80°C), etc

#### Characteristic

- Display unit ranges  
Kg/cm $^2$ , Bar, Psi, kPa, MPa  
Other unit ranges available on setting
- Accuracy class  
Class 0.25% of F.S.
- Body/Casing material  
Aluminium
- Connection material  
SS 316 (Standard)
- Stability  
< 0.1% / year
- Overrange protection  
150% of F.S.
- Power supply  
12-30 VDC
- Output signal  
4-20 mA or RS485
- Index Protection  
IP 65 (Weather proof)



# Technical Drawing



# Ordering Code

**SPT** <sup>①</sup><Pressure range> <sup>②</sup>Connection <sup>③</sup> - Output signal <sup>④</sup>\*Option <sup>⑤</sup>

①	Model
301	LCD Display
302	LED Display

③	Connection Size
G4	G1/4"
N4	1/4"NPT
G2	G1/2"
N2	1/2"NPT

④	Output Signal
M	4-20 mA
R	RS-485

⑤	Option
CT	Cooling tower body (T > 120°C)
CM	Clamping mount (DN 1.5" to 2")
FM	Flange mount (eg. FT flange size)
OC	Other connection thread

②	Unit Ranges		
	Bar or kg/cm2	Psi	kPa
-1.. 0	-15.. 0	-100.. 0	
-1.. 0.6	-15.. 10	-100.. 60	
-1.. 1.5	-15.. 15	-100.. 150	
-1.. 3	-15.. 30	-100.. 300	
-1.. 5	-15.. 60	-100.. 500	
-1.. 9	-15..150	-100.. 900	
-1.. 15	-15..200	-100..1500	
-1.. 24	-15..300	-100..2400	
0.. 1	0.. 15	0.. 100	
0.. 1.6	0.. 20	0.. 160	
0.. 2.5	0.. 30	0.. 250	
0.. 4	0.. 60	0.. 400	
0.. 6		0.. 600	
0.. 7	0.. 100	0.. 700	
0.. 10	0.. 150	0.. 1000	
0.. 16	0.. 200	0.. 1600	
0.. 25	0.. 300	0.. 2500	
0.. 40	0.. 600	0.. 4000	
0.. 60		0.. 6000	
0.. 70	0.. 1000	0.. 7000	
0.. 100	0.. 1500		
0.. 160	0.. 2000		
0.. 250	0.. 3000		
0.. 400	0.. 6000		
0.. 600			
0.. 700	0.. 10000		
0.. 1000	0.. 15000		