

# Digital Precision Pressure Gauge

## HD022 Series

### Datalogger Communication

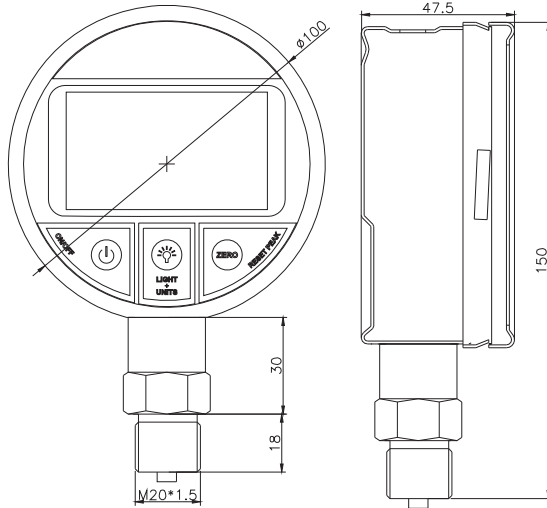
#### Features

- Dial size 4" or 100 mm
- Large 5 Digits big LCD Display, back light
- Accuracy Class 0.1 and 0.2 of Full Scale
- Selectable 10 unit pressure ranges
- Percentage battery power indicator
- Pressure range -1..0, 0..1 up to 1000 bar
- Maximum calibrating pressure Auto recording
- Integrated Auto Power-Off, Setable 1-15 mins
- Low power consumption, battery 3.6Vdc
- Stainless steel case with SS316 wetted part
- Parameter correction, Zero and Error correction
- Designed over pressure resist 150%
- Ambient temperature -20°..+70°C
- Design relative humidity 0..90%
- Data storage function up to 260.000 memories



#### Technical Specification

- Display Indication  
-19999.. 99999
- Accuracy Stability  
≤0.1% / Year
- Accuracy class  
Class 0.25 of Full Scale  
Within compensating temperature range -10..+60°C
- Pressure/Vacuum/Compound range  
Vacuum range : -1.. 0 bar  
Pressure range : 0.. 0.7 bar to 0..1000 bar  
Compound range : -0.025..+0.025 to -1..+1 bar
- Indication pressure unit  
kPa, mmHg, mmH2O, Bar, mBar, Psi, kg/cm2, MPa, Pa  
Depend on unit measure range
- Communication Reading  
Via USB cable and software (Supplied)
- Connection size  
Male 1/2"NPT, G1/2" or M20x1.5  
1/4"NPT, G1/4" or other sizes
- Index Protection  
IP65 (Weather proof)
- Design Material  
Connection : SS 316  
Case/Body : SS 304



COMPOUND RANGES	
PSI	BAR
-0.4..+0.4	-0.025..+0.025
-0.8..+0.8	-0.05 .. +0.05
-1.5..+1.5	-0.1 .. +0.1
-6 .. +6	-0.4 .. +0.4
-15..+15	-1 .. +1

PRESSURE RANGES	
PSI	BAR
0.. 10	0.. 0.7
0.. 15	0.. 1
0.. 30	0.. 2
0.. 60	0.. 4
0.. 100	0.. 7
0.. 200	0.. 14
0.. 300	0.. 20
0.. 500	0.. 35
0.. 600	0.. 40
0.. 1000	0.. 70
0.. 2000	0.. 140
0.. 3000	0.. 200
0.. 5000	0.. 350
0.. 6000	0.. 400
0..10000	0.. 700
0..15000	0..1000

#### Ordering Code

HD022<sup>①</sup> <Pressure range><sup>②</sup> - Connection<sup>③</sup>

①	Accuracy Class
A	0.1
B	0.2

②	Pressure Range
	Following pressure gauge ranges table
	Pressure or Compound ranges

③	Connection size
G4	G 1/4"
N4	1/4" NPT
G2	G 1/2"
N2	1/2"NPT
M2	M20 x 1.5